

DNS

Fuse links for semiconductor equipment protection

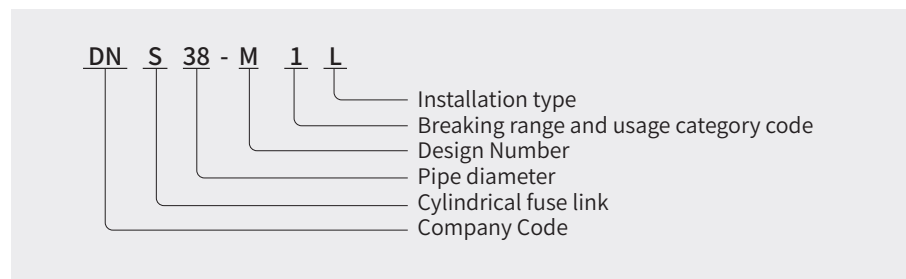


Product description

This series of fuse links for semiconductor equipment protection has the characteristics of small size, high breaking capacity, tolerance to current shock, and tolerance to high-intensity mechanical vibration shock.

Suitable for rail transportation, electric vehicle new energy power stations, communications, and power industries. It can be used as short-circuit current and overload current protection for power systems, energy storage systems, inverters, semiconductor equipment components and equipment.

Model and meaning



Normal working conditions

1. Ambient air temperature: The ambient air temperature shall not exceed 40°C, the average value measured over 24 hours shall not exceed 35°C, and the average value measured within one year shall be lower than this value. The lowest ambient air temperature is -5°C.
2. Altitude: The altitude of the installation site shall not exceed 2000m.
3. Atmospheric conditions: The air is clean, and its relative humidity does not exceed 50% at a maximum temperature of 40°C. It can have a higher relative humidity at lower temperatures, for example, at 20°C, the relative humidity can reach 90%. Under these conditions, moderate condensation may occur occasionally due to temperature changes.

DNS38-M1L

Fuse links for semiconductor equipment protection

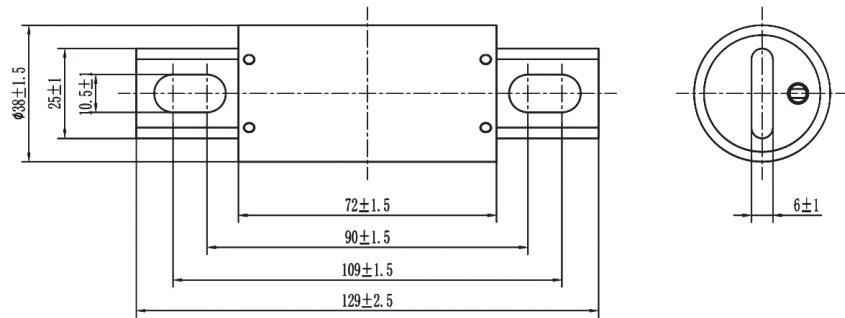


Rated voltage	800V DC
Rated current	125~400A
Protection category	aR
Breaking capacity	50kA
Time constant	10~15ms
Reference standard	GB/T 13539.4 IEC 60269-4
Certification mark	CCC CE TUV

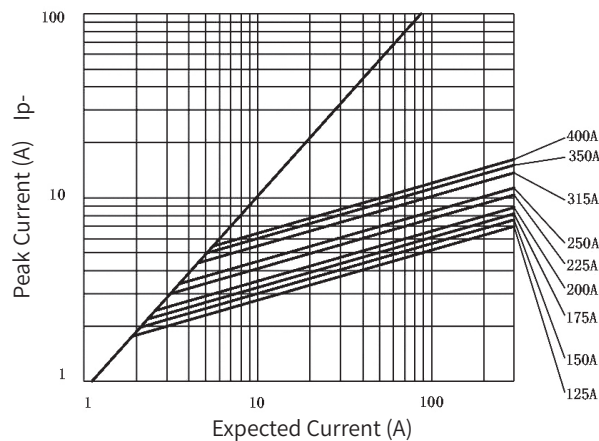
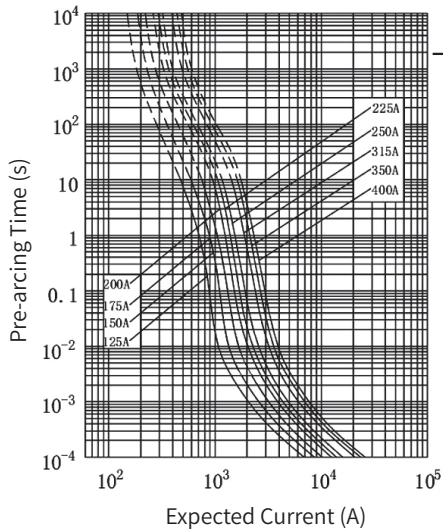
Product Parameters

Model No.	Size	In (A)	I ² t (A ² S)		0.5In Power dissipation(W)	0.8In Power dissipation(W)	1.0In Power dissipation(W)	Weight (g)	Mounting
			Pre-Arcing	Fusing					
DNS38-M1L-125A/800V DC	φ38	125A	2100	6800	4.5	15	28	252±3%	M10 21±1N.m
DNS38-M1L-150A/800V DC	φ38	150A	3110	9900	5	17	32		
DNS38-M1L-175A/800V DC	φ38	175A	4350	15900	6	20	36		
DNS38-M1L-200A/800V DC	φ38	200A	6100	20500	7	23	42		
DNS38-M1L-225A/800V DC	φ38	225A	8500	29500	7.2	24	44		
DNS38-M1L-250A/800V DC	φ38	250A	11900	39900	7.5	26	47		
DNS38-M1L-315A/800V DC	φ38	315A	17500	58800	10	31	58		
DNS38-M1L-350A/800V DC	φ38	350A	23700	86500	11	35	64		
DNS38-M1L-400A/800V DC	φ38	400A	32000	10500	14	42	77		

Overall dimensions (mm)



Characteristic curve



DNS51-M1L

Fuse links for semiconductor equipment protection

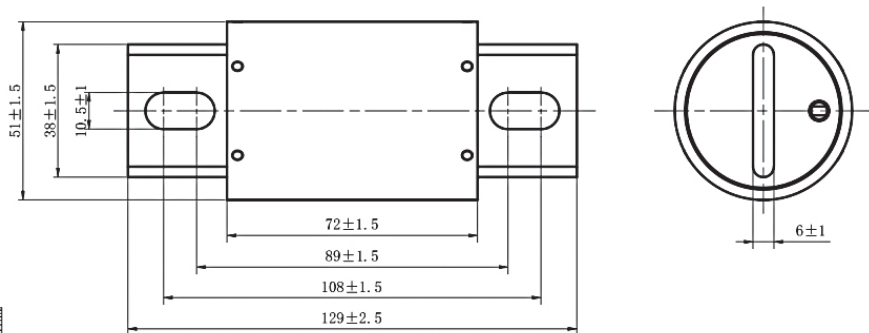


Rated voltage	800V DC
Rated current	225~600A
Protection category	aR
Breaking capacity	50kA
Time constant	10~15ms
Reference standard	GB/T 13539.4 IEC 60269-4
Certification mark	CCC CE TUV

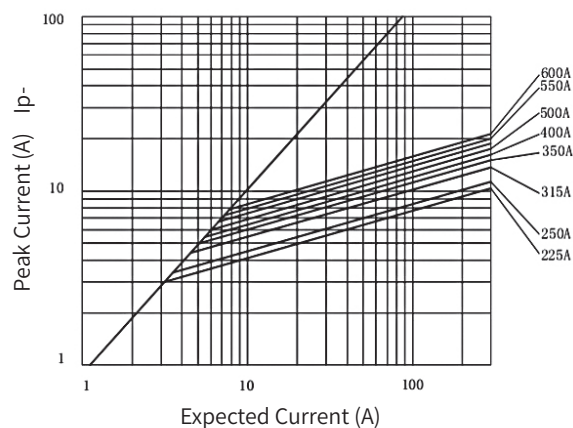
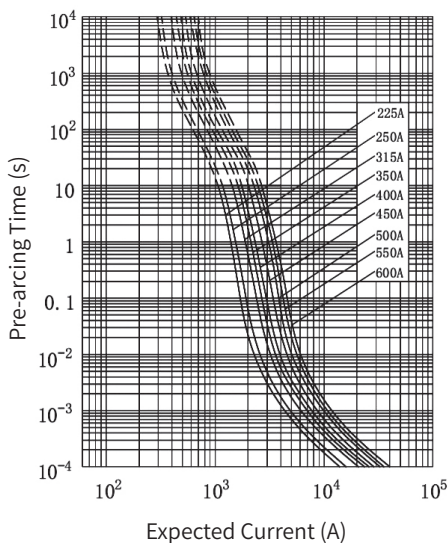
Product Parameters

Model No.	Size	In (A)	I ² t (A ² S)		0.5In Power dissipation(W)	0.8In Power dissipation(W)	1.0In Power dissipation(W)	Weight (g)	Mounting
			Pre-Arcing	Fusing					
DNS51-M1L-225A/800V DC	φ51	225A	8500	29500	7	24	44	471±3%	M10 21±1N.m
DNS51-M1L-250A/800V DC	φ51	250A	11900	39900	7.8	25.5	47		
DNS51-M1L-315A/800V DC	φ51	315A	19000	67500	9.5	32	58		
DNS51-M1L-350A/800V DC	φ51	350A	23700	86500	11.5	35	64		
DNS51-M1L-400A/800V DC	φ51	400A	32000	105000	14	42	77		
DNS51-M1L-450A/800V DC	φ51	450A	41500	132000	18	52	95		
DNS51-M1L-500A/800V DC	φ51	500A	56000	168000	20	57	105		
DNS51-M1L-550A/800V DC	φ51	550A	65300	196000	22.5	62	113		
DNS51-M1L-600A/800V DC	φ51	600A	76600	249000	25	67	122		

Overall dimensions (mm)



Characteristic curve



DNS38-O1L

Fuse for Semiconductor Equipment Protection

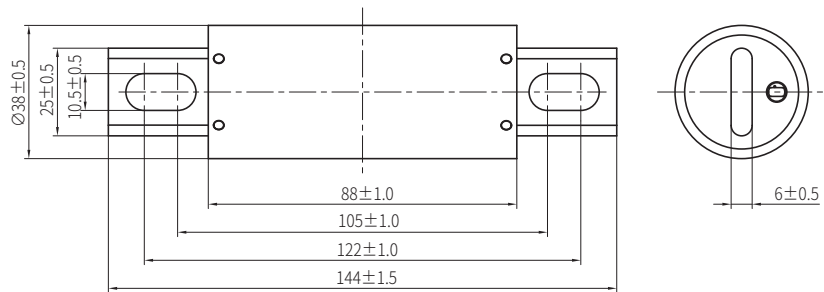


Rated voltage	1000V DC
Rated current	125~350A
Protection category	aR
Breaking capacity	50kA
Time constant	10~15ms
Reference standard	GB/T 13539.4 IEC 60269-4
Certification mark	CCC CE TUV

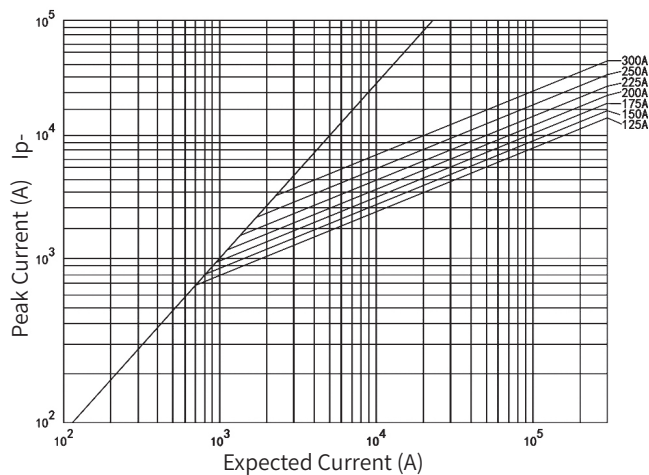
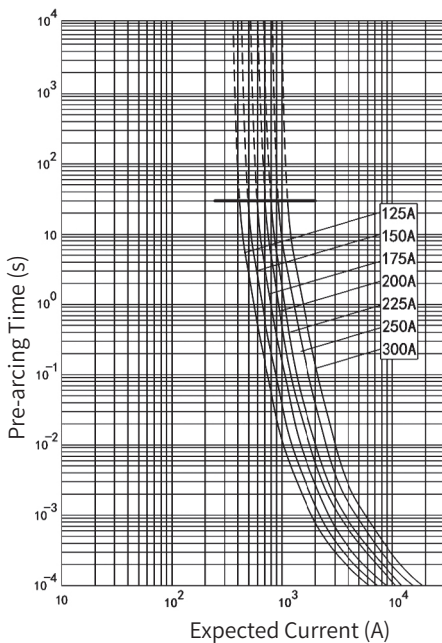
Product parameter

Model No.	Size	I _n (A)	I ² t (A ² S)		0.5I _n Power dissipation(W)	0.8I _n Power dissipation(W)	1.0I _n Power dissipation(W)	Weight (g)	Mounting
			Pre-Arcing	Fusing					
DNS38-O1L-125A/1000V DC	φ38	125	4100	23500	4.5	14	25	289±3%	M10 21±1N.m
DNS38-O1L-150A/1000V DC	φ38	150	5500	28500	6	18	33		
DNS38-O1L-175A/1000V DC	φ38	175	10100	43500	6.5	19	35		
DNS38-O1L-200A/1000V DC	φ38	200	17100	63500	7	21	39		
DNS38-O1L-225A/1000V DC	φ38	225	21200	125000	7.2	24	44		
DNS38-O1L-250A/1000V DC	φ38	250	24300	137000	7.5	26	47		
DNS38-O1L-300A/1000V DC	φ38	300	26300	145000	11	32	54		
DNS38-O1L-350A/1000V DC	φ38	350	42000	212000	12	36	61		

Overall dimensions (mm)



Characteristic curve



DNS51-O1L

Fuse for Semiconductor Equipment Protection

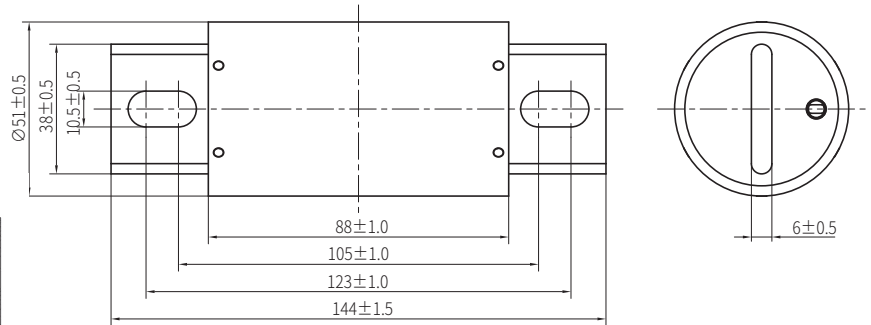


Rated voltage	1000V DC
Rated current	200~500A
Protection category	aR
Breaking capacity	50kA
Time constant	10~15ms
Reference standard	GB/T 13539.4 IEC 60269-4
Certification mark	CCC CE TUV

Product parameter

Model No.	Size	I _n (A)	I ² t (A ² S)		0.5I _n Power dissipation(W)	0.8I _n Power dissipation(W)	1.0I _n Power dissipation(W)	Weight (g)	Mounting
			Pre-Arcing	Fusing					
DNS51-O1L-200A/1000V DC	φ51	200	9300	41000	7	23	42	520±3%	M10 21±1N.m
DNS51-O1L-225A/1000V DC	φ51	225	16100	61500	7	24	44		
DNS51-O1L-250A/1000V DC	φ51	250	20100	107000	8	26	47		
DNS51-O1L-300A/1000V DC	φ51	300	25300	115000	10	31	55		
DNS51-O1L-350A/1000V DC	φ51	350	27100	165000	12	35	61		
DNS51-O1L-400A/1000V DC	φ51	400	43000	232000	13	38	66		
DNS51-O1L-450A/1000V DC	φ51	450	72000	323000	15	43	74		
DNS51-O1L-500A/1000V DC	φ51	500	96000	345000	17	48	83		

Overall dimensions (mm)



Characteristic curve

